

Fast-Drop™

FIBER OPTIC RADIUS CONTROL MODULE

Do your fiber optics need rounding up?

Sharp corners may be fun on the race track, but they can wreak havoc on your fiber optic cables, causing lost data and reduced efficiency.

Fast-Drop Radius Control Modules provide the BICSI recommended minimum bend radius for fiber optic cables, assuring consistent data transmission. The RCM is molded of UL94 V-0 flame retardant impact resistant polycarbonate and is rigid enough to withstand large bundle loads. NEBS compliant, the RCM will speed up your wiring integration efforts and increase productivity.

The universal RCM snaps on to any sheet metal edge up to .104" (2.7mm), retained by a zinc plated carbon steel clip. It also may be screw or tab mounted to the cabinet. Cables are easily contained with the use of our hook and loop strap. Available from stock in three widths—1" (2.5cm), 1.75" (4.4cm) and 3" (7.6cm), in black or beige. Slotted side design accommodates stacking for multiple or various lengths.

- Snaps into place
- NEBS Compliant
- UL94 V-0
- Impact resistant
- Hook & loop optional straps
- Available from stock in three sizes

TECHNICOME.COM
www.technicome.com
ZA de Pissaloup - Rue Édouard Branly
BP 102 - 78191 Trappes Cedex - France
Tél: (0)1 30 69 15 00 - Fax : (0)1 30 69 15 01

1 800.669.9682
1 508.229.2000
www.devicetec.com



DT device
technologies, inc.

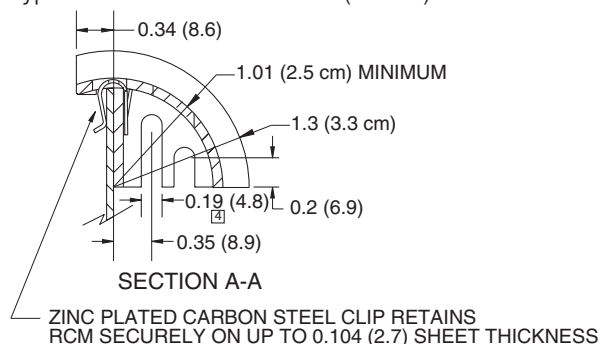
ISO9001:2000 and AS 9100:2001 Certified
Registration No. 950 99 0464

Fast-Drop™

FIBER OPTIC RADIUS CONTROL MODULE

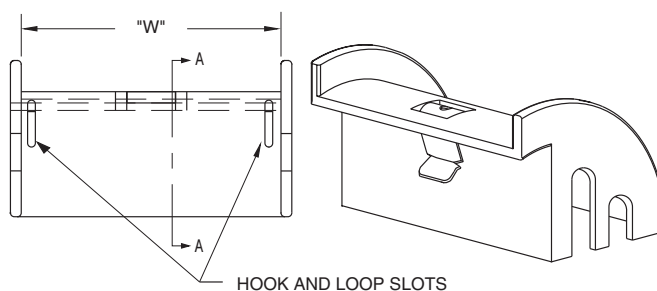
SPECIFICATIONS

Material: Polycarbonate
 Flammability: UL94 V-0
 Color: Black or Beige
 Typical wall thickness: .090" (2.3mm)



PART NOS & SIZES			
Part #	Color	Width	
		Inches	cm
321-1A	Black	1.00	2.5
321-1B	Beige		
321-2A	Black	1.75	4.4
321-2B	Beige		
321-3A	Black	3.00*	7.6*
321-3B	Beige		

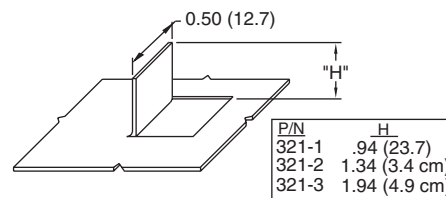
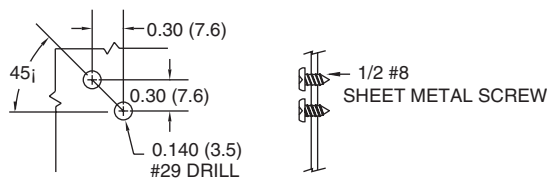
*3" RCM has no screw mounting slots.
 For Hook and Loop straps add -HL to part number suffix (ie. 321-1A-HL).



MOUNTING OPTIONS

Screw mounting instructions for contractors:

1. Drill 9/64 (#29 Drill) Diameter hole in long location slot.
2. Mount RCM using #8 sheet metal screw.
3. Use short slot to spot drill for second screw.
4. P/N 321-3 without screw slots.



TAB FOR RCM MOUNTING



3 Brigham Street, Marlborough MA 01752-3140 USA

Tel +1 800.669.9682 • +1 508.229.2000 • Fax +1 508.229.2622

E-mail: dti@devicetec.com • www.devicetec.com